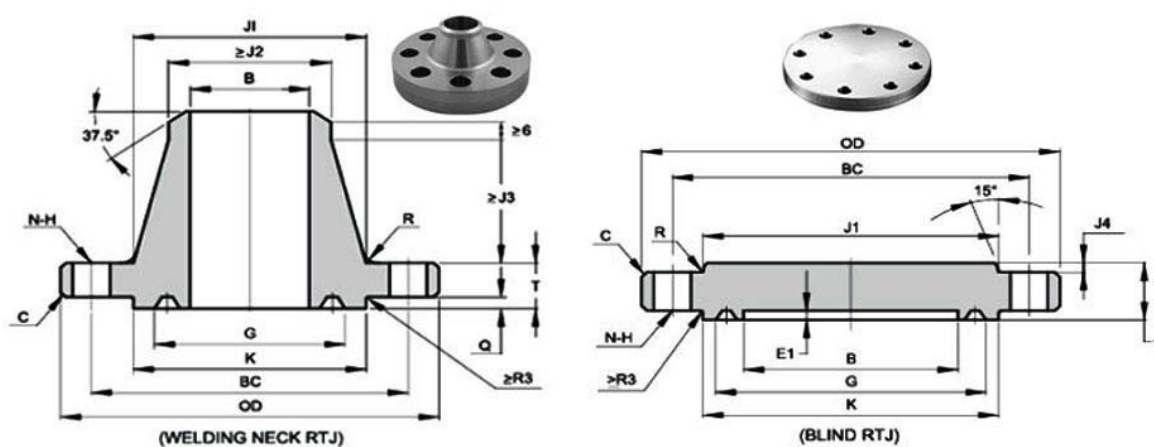


## MSS SP-44 API 6A Weld Neck / Blind / RTJ Flange Dimensions

### MSS SP-44 API 6A WELD NECK / BLIND / RTJ FLANGE DIMENSIONS



Size	B	OD	C	E1	Q	G	K	T	J1	J2	J3	J4	R	BC
1 13/16"	46.8	185	3	—	5.56	77.77	105	42.1	88.9	65.1	48.5	—	10	146.1
2 1/16"	53.2	200	3	—	5.95	86.23	111	44.1	100	74.7	51.6	—	10	158.8
2 9/16"	65.9	230	3	—	6.75	102.77	132	51.2	120.7	92.1	57.2	—	10	184.2

3 1/16"	78.6	270	3	–	7.54	119	152	58.4	142.1	110.2	63.5	–	10	215.9
4 1/16"	104	315	3	–	8.33	150.62	185	70.3	182.6	146.1	73.1	–	10	258.8
5 1/8"	131	360	3	9.5	9.53	176.66	221	79.4	223.8	182.6	81	6.4	10	300
7 1/16"	180.2	480	6	11.1	11.11	241.83	302	103.2	301.6	254	95.3	9.7	16	403.2
9 "	229.4	550	6	12.7	12.7	299.06	359	123.9	374.7	327.1	93.7	9.7	16	476.3
11"	280.2	655	6	14.3	14.29	357.23	429	141.3	450.9	400.1	103.2	14.2	16	565.2
13 5/8"	346.9	770	6	15.9	15.88	432.64	518	168.3	552.5	495.3	114.3	17.5	16	673.1
16 3/4"	426.2	870	6	8.3	8.33	478.33	576	168.3	655.6	601.7	76.2	30.2	19	776.3
18 3/4"	477	1040	6	18.3	18.26	577.9	697	223.1	752.5	674.7	155.6	25.4	16	925.5
21 1/4"	540.5	1145	6	19.1	19.05	647.88	781	241.3	847.7	762	165.1	31.8	21	1022.4

## MSS SP-44 API 6A FLANGE DIMENSIONS INDUSTRIES AND APPLICATIONS

WIDELY USED IN THE INDUSTRIES

- Pumps, Valves, and vessels in manufacturing and food processing.
- Pipe connections in industrial waterworks.
- Heat exchangers and heating systems of all sizes.
- Mining support.
- Nuclear power systems.
- Plumbing and mechanical systems.
- Assemblies in the oil, gas, and petrochemical industries.
- Fire protection systems.