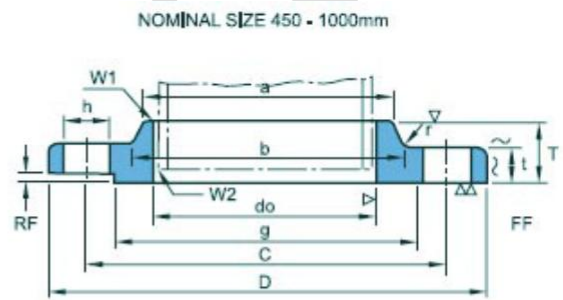
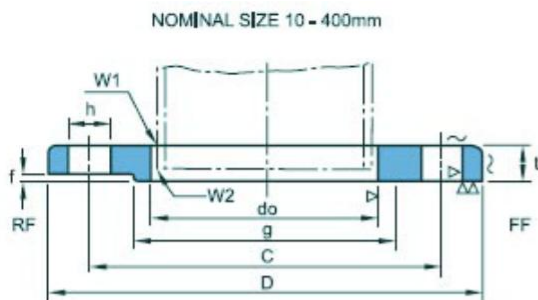


KS B1503 5k Flange Dimensions

[Flange Dimensions Standards \(https://marcelforged.com/flange-dimensions-standards/\)](https://marcelforged.com/flange-dimensions-standards/)

KS B1503 5K FLANGE DIMENSIONS



Nominal Diameter of Flanges	Outside Diameter of Flanges D	flange Sectional Dimensions								
		Diameter of Bolt Circle C	Diameter Of raised Face g	Inside Dia. Of Flange do	Outside Diameter Of Applicable pipe	t	T	Hub Diameter		Radius r
								a	b	
10	75	55	39	17.8	17.3	9	-	-	-	-
15	80	60	44	22.2	21.7	9	-	-	-	-
20	85	65	49	27.7	27.2	10	-	-	-	-
25	95	75	59	34.5	34	10	-	-	-	-
32	115	90	70	43.2	42.7	12	-	-	-	-
40	120	95	75	49.1	48.6	12	-	-	-	-
50	130	105	85	61.1	60.5	14				
65	155	130	110	77.1	76.3	14				
80	180	145	121	90	89.1	14				
90	190	155	131	102.6	101.6	14				
100	200	165	141	115.4	114.3	16				

125	235	200	176	141.2	139.8	16				
150	265	230	206	166.6	165.2	18				
175	300	260	232	192.1	190.7	18				
200	320	280	252	218	216.3	20				
225	345	305	277	243.7	241.8	20				
250	385	345	317	269.5	267.4	22				
300	430	390	360	321	318.5	22				
350	480	435	403	358.1	355.6	24				
400	540	495	463	409	406.4	24				
450	605	555	523	460	457.2	24	40	495	500	5
500	655	605	573	511	508	24	40	546	552	5
550	720	665	630	562	558.8	26	42	597	603	5
600	770	715	680	613	609.6	26	44	648	654	5
650	825	770	735	664	660.4	26	48	702	708	5
700	875	820	785	715	711.2	26	48	751	758	5
750	945	880	840	766	762	28	52	802	810	5
800	995	930	890	817	812.8	28	52	854	862	5
850	1045	980	940	868	863.6	28	54	904	912	5
900	1095	1030	990	919	914.4	30	56	956	964	5
1000	1195	1130	1090	1021	1016	32	60	1058	1066	5
*(1100)	1305	1240	1200	1123	1117.6	32				
*1200	1420	1350	1305	1225	1219.2	34			–	–
*1350	1575	1505	1460	–	1371.6	34	–	–	–	–
*1500	1730	1660	1615	–	1524	36	–	–	–	–

KS B1503 5K FLANGE INDUSTRIES AND APPLICATIONS

WIDELY USED IN THE INDUSTRIES

- Pumps, Valves, and vessels in manufacturing and food processing.
- Pipe connections in industrial waterworks.
- Heat exchangers and heating systems of all sizes.
- Mining support.
- Nuclear power systems.
- Plumbing and mechanical systems.
- Assemblies in the oil, gas, and petrochemical industries.
- Fire protection systems.