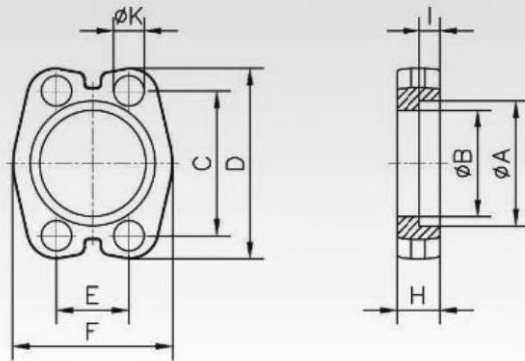


Iso 6162 Split Flange Dimensions



(Material)

carbon steel C80

Yellow zinked :HVF***-A3C

Cr+3 white zinked:HVF***-CFX

Ni-Zn zinked :HVF***-ZN

Size (inch)	Type	dimension									bolt		Wt (kg)	MAX.W.P (kg/cm ²)
		A	B	C	D	E	F	H	I	K	M	unc		
3000 psi														
1/2"	HVF301	31.00	24.30	38.10	54	17.48	46	13	6.20	9	M8	5/16	0.12	350
3/4"	HVF302	38.90	32.15	47.63	65	22.23	52	14	6.20	11	M10	3/8	0.18	350
1"	HVF303	45.25	38.80	52.37	70	26.19	59	16	7.50	11	M10	3/8	0.22	315
1 1/4"	HVF304	51.60	43.70	58.72	79	30.18	73	16	7.50	11	M10	---	0.32	250
1 1/2"	HVF305	61.10	50.80	69.85	94	35.71	82	16	7.50	13	M12	1/2	0.44	200
2"	HVF306	72.25	62.75	77.77	102	42.88	97	16	9.00	13	M12	1/2	0.50	200
6000 psi														
1/2"	HVF601	32.55	24.65	40.49	56	18.24	48	16	7.20	9	M8	5/16	0.16	400
3/4"	HVF602	42.10	32.50	50.80	71	23.80	60	20	8.25	11	M10	3/8	0.32	400
1"	HVF603	48.40	38.90	57.15	81	27.76	70	25	9.00	13	M12	7/16	0.50	400
1 1/4"	HVF604	54.80	44.50	66.68	95	31.75	78	27	9.80	15	M14	---	0.76	400
1 1/2"	HVF605	64.30	51.60	79.38	113	36.50	95	30	12.00	17	M16	5/8	1.30	400
2"	HVF606	80.20	67.60	96.82	133	44.45	114	37	12.00	21	M20	3/4	2.00	400

ISO 6162 SPLIT FLANGE INDUSTRIES AND APPLICATIONS

WIDELY USED IN THE INDUSTRIES

- Pumps, Valves, and vessels in manufacturing and food processing.
- Pipe connections in industrial waterworks.
- Heat exchangers and heating systems of all sizes.
- Mining support.
- Nuclear power systems.
- Plumbing and mechanical systems.
- Assemblies in the oil, gas, and petrochemical industries.
- Fire protection systems.