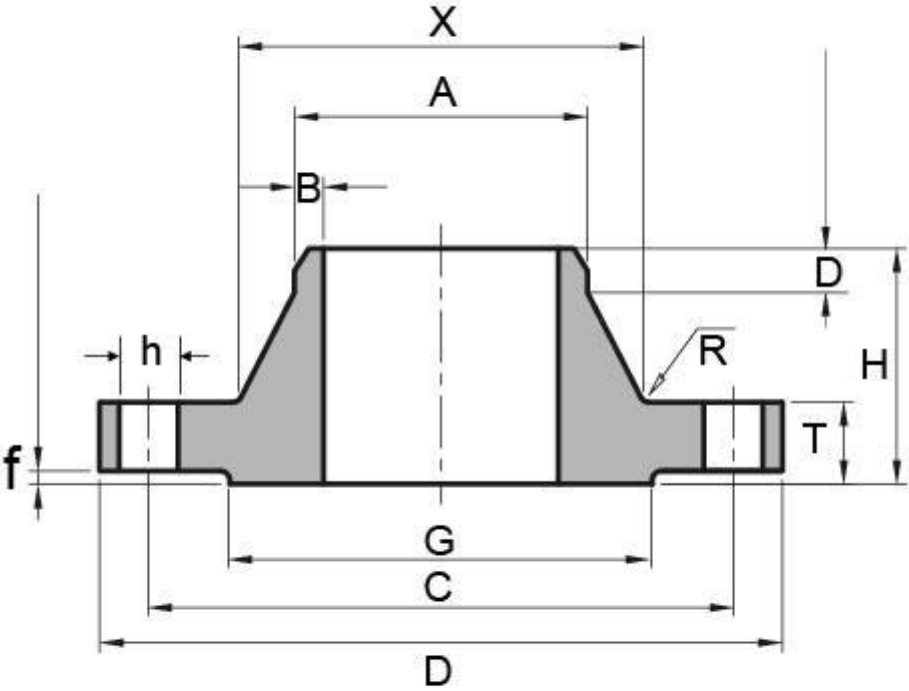


EN1092-1 PN6 Type 11 Welding Neck Flange

EN1092-1 PN6 TYPE 11 WELDING NECK FLANGE DIMENSIONS AND TECHNICAL DRAWING



EN1092-1 PN6 TYPE 11 WELDING NECK FLANGE DIMENSIONS
DIMENSIONS AND WEIGHT

Rated Diameter	Flange Dimension					Neck Size				Raised Face		Screws Parameter		
	A	C	D	T	H	X	B	R	D	G	f	h	Thread	Bolt holes
15	21,3	55	80	12	30	30	2,00	4	6	40	2	11	M10	4
20	26,9	65	90	14	32	38	2,30	4	6	50	2	11	M10	4
25	33,7	75	100	14	35	42	2,60	4	6	60	2	11	M10	4
32	42,4	90	120	14	35	55	2,60	6	6	70	2	14	M12	4
40	48,3	100	130	14	38	62	2,60	6	7	80	3	14	M12	4
50	60,3	110	140	14	38	74	2,90	6	8	90	3	14	M12	4
65	76,1	130	160	14	38	88	2,90	6	9	110	3	14	M12	4
80	88,9	150	190	16	42	102	3,20	8	10	128	3	18	M16	4
100	114,3	170	210	16	45	130	3,60	8	10	148	3	18	M16	4
125	139,7	200	240	18	48	155	4,00	8	10	178	3	18	M16	8
150	168,3	225	265	18	48	184	4,50	10	12	202	3	18	M16	8
200	219,1	280	320	20	55	236	6,30	10	15	258	3	18	M16	8
250	273,0	335	375	22	60	290	6,30	12	15	312	3	18	M16	12
300	323,9	395	440	22	62	342	7,10	12	15	365	4	22	M20	12
350	355,6	445	490	22	62	385	7,10	12	15	415	4	22	M20	12
400	406,4	495	540	22	65	438	7,10	12	15	465	4	22	M20	16
450	457,0	550	595	22	65	492	7,10	12	15	520	4	22	M20	16
500	508,0	600	645	24	68	538	7,10	12	15	570	4	22	M20	20
600	610,0	705	755	30	70	640	7,10	12	16	670	5	26	M24	20
700	711,0	810	860	30	76	740	8,00	12	16	775	5	26	M24	24
800	813,0	920	975	30	76	842	8,00	12	16	880	5	30	M27	24
900	914,0	1020	1075	34	78	942	8,00	12	16	980	5	30	M27	24
1000	1016,0	1120	1175	38	82	1045	8,00	16	16	1080	5	30	M27	28
1200	1219,0	1340	1405	42	104	1248	8,80	16	20	1295	5	33	M30	32
1400	1422,0	1560	1630	56	114	1452	8,80	16	20	1510	5	36	M33	36
1600	1626,0	1760	1830	63	119	1655	10,00	16	20	1710	5	36	M33	40
1800	1829,0	1970	2045	69	133	1855	11,00	16	20	1920	5	39	M36	44
2000	2032,0	2180	2265	74	146	2058	12,50	16	25	2125	5	42	M39	48
2200	2235,0	2390	2475	81	154	2260	14,00	18	25	2335	5	42	M39	52
2400	2438,0	2600	2685	87	168	2462	15,00	18	25	2545	5	42	M39	56
2600	2620,0	2810	2905	91	175	2665	16,00	18	25	2750	5	48	M45	60

2800	2820,0	3020	3115	101	188	2865	17,00	18	30	2960	5 48	M45	64
3000	3020,0	3220	3315	102	192	3068	20,00	18	30	3160	5 48	M45	68
3200	3220,0	3430	3525	106	202	3272	20,00	20	30	3370	5 48	M45	72
3400	3420,0	3640	3735	110	214	3475	22,00	20	35	3580	5 48	M45	76
3600	3620,0	3860	3970	124	229	3678	22,00	20	35	3790	5 56	M52	80

EN1092-1 PN6 TYPE 11 WELDING NECK FLANGE INDUSTRIES AND APPLICATIONS

WIDELY USED IN THE INDUSTRIES

- Pumps, Valves, and vessels in manufacturing and food processing.
- Pipe connections in industrial waterworks.
- Heat exchangers and heating systems of all sizes.
- Mining support.
- Nuclear power systems.
- Plumbing and mechanical systems.
- Assemblies in the oil, gas, and petrochemical industries.
- Fire protection systems.

marcelforged.com