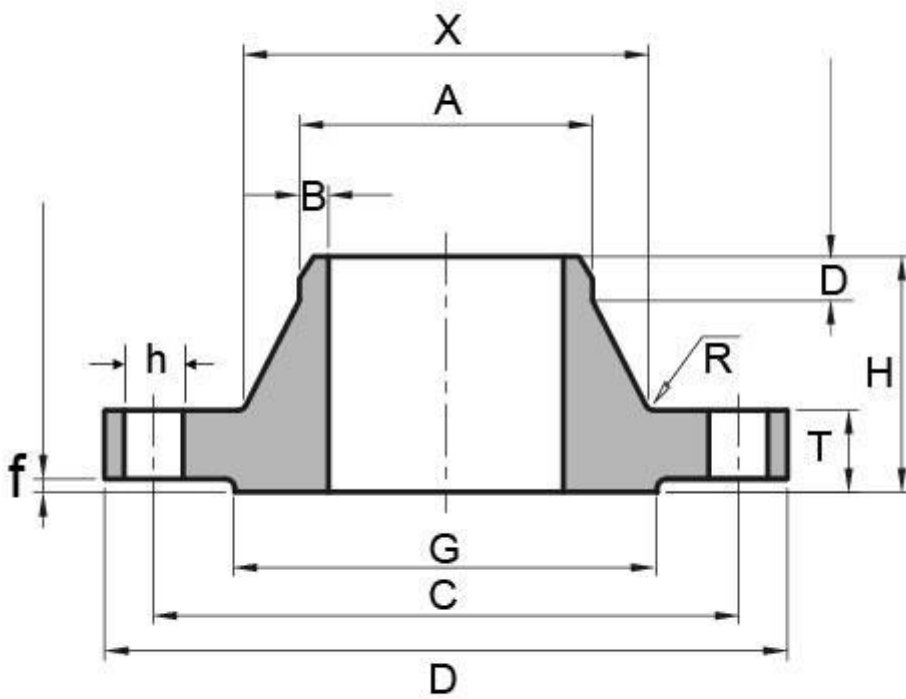


EN1092-1 PN40 Type 11 Welding Neck Flange

EN1092-1 PN40 TYPE 11 WELDING NECK FLANGE DIMENSIONS AND TECHNICAL DRAWING



EN1092-1 PN40 TYPE 11 WELDING NECK FLANGE DIMENSIONS AND WEIGHT

Rated Diameter	Flange Dimension	Neck Size	Raised Face	Screws Parameter	Weigh Flang

	A	C	D	T	H	X	B	R	D	G	f	h	Thread	Bolt holes	KG/PC
15	21,3	65	95	16	38	32	2,00	4	6	45	2	14	M12	4	0,768
20	26,9	75	105	18	40	40	2,30	4	6	58	2	14	M12	4	1,090
25	33,7	85	115	18	40	46	2,60	4	6	68	2	14	M12	4	1,300
32	42,4	100	140	18	42	56	2,60	6	6	78	2	18	M16	4	1,910
40	48,3	110	150	18	45	64	2,60	6	7	88	3	18	M16	4	2,150
50	60,3	125	165	20	48	75	2,90	6	8	102	3	18	M16	4	2,850
65	76,1	145	185	22	52	90	2,90	6	10	122	3	18	M16	8	3,680
80	88,9	160	200	24	58	105	3,20	8	12	138	3	18	M16	8	4,780
100	114,3	190	235	24	65	134	3,60	8	12	162	3	22	M20	8	6,460
125	139,7	220	270	26	68	162	4,00	8	12	188	3	26	M24	8	8,860
150	168,3	250	300	28	75	192	4,50	10	12	218	3	26	M24	8	11,700
200	219,1	320	375	34	88	244	6,30	10	16	285	3	30	M27	12	21,000
250	273,0	385	450	38	105	306	7,10	12	18	345	3	33	M30	12	34,200
300	323,9	450	515	42	115	362	8,00	12	18	410	4	33	M30	16	47,600
350	355,6	510	580	46	125	408	8,80	12	20	465	4	36	M33	16	69,300
400	406,4	585	660	50	135	462	11,00	12	20	535	4	39	M36	16	98,00
450	457,0	610	685	57	135	500	12,50	12	20	560	4	39	M36	20	105,00
500	508,0	670	755	57	140	562	14,20	12	20	615	4	42	M39	20	130,00
600	610,0	795	890	72	150	666	16,00	12	20	735	5	48	M45	20	209,00

EN1092-1 PN40 TYPE 11 WELDING NECK FLANGE INDUSTRIES AND APPLICATIONS

WIDELY USED IN THE INDUSTRIES

- Pumps, Valves, and vessels in manufacturing and food processing.
- Pipe connections in industrial waterworks.
- Heat exchangers and heating systems of all sizes.
- Mining support.
- Nuclear power systems.
- Plumbing and mechanical systems.
- Assemblies in the oil, gas, and petrochemical industries.
- Fire protection systems.