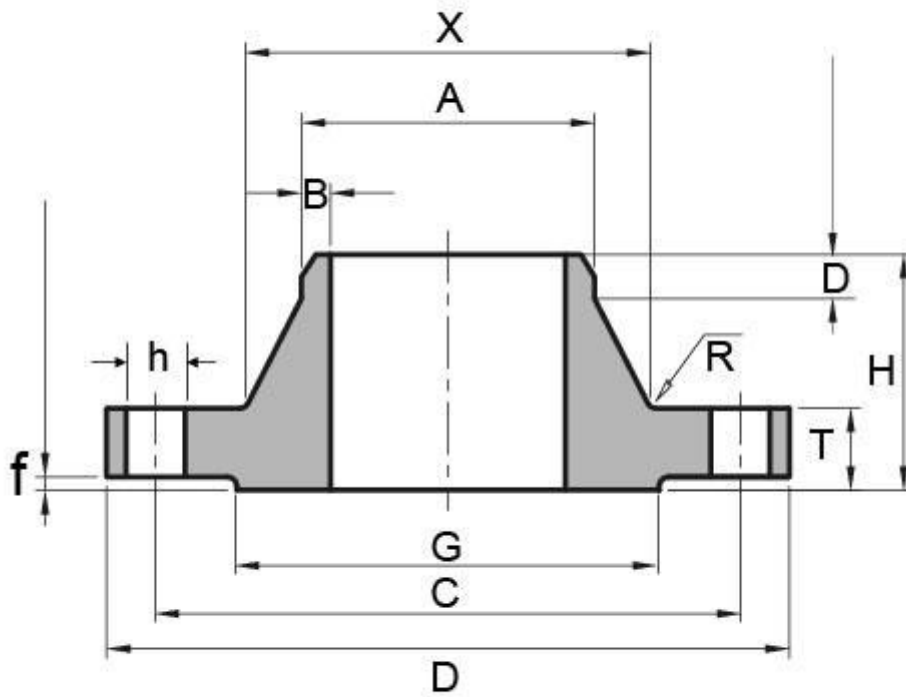


EN1092-1 PN16 Type 11 Welding Neck Flange

EN1092-1 PN16 TYPE 11 WELDING NECK FLANGE DIMENSIONS AND TECHNICAL DRAWING



EN1092-1 PN16 TYPE 11 WELDING NECK FLANGE DIMENSIONS
DIMENSIONS AND WEIGHT

| Rated Diameter | Flange Dimension | | | | | Neck Size | | | | Raised Face | | Screws Parameter | | | |
|----------------|------------------|------|--------|-----|-----|-----------|------|----|----|-------------|---|------------------|--------|------------|--|
| | A | C | D | T | H | X | B | R | D | G | f | h | Thread | Bolt holes | |
| 15 | 21,3 | 65 | 95 | 16 | 38 | 32 | 2,00 | 4 | 6 | 45 | 2 | 14 | M12 | 4 | |
| 20 | 26,9 | 75 | 105 | 18 | 40 | 40 | 2,30 | 4 | 6 | 58 | 2 | 14 | M12 | 4 | |
| 25 | 33,7 | 85 | 115 | 18 | 40 | 46 | 2,60 | 4 | 6 | 68 | 2 | 14 | M12 | 4 | |
| 32 | 42,4 | 100 | 140 | 18 | 42 | 56 | 2,60 | 6 | 6 | 78 | 2 | 18 | M16 | 4 | |
| 40 | 48,3 | 110 | 150 | 18 | 45 | 64 | 2,60 | 6 | 7 | 88 | 3 | 18 | M16 | 4 | |
| 50 | 60,3 | 125 | 165 | 18 | 45 | 74 | 2,9 | 6 | 8 | 102 | 3 | 18 | M16 | 4 | |
| 65 | 76,1 | 145 | 185 | 18 | 45 | 92 | 2,9 | 6 | 10 | 122 | 3 | 18 | M16 | 4 | |
| 80 | 88,9 | 160 | 200 | 20 | 50 | 105 | 3,2 | 6 | 10 | 138 | 3 | 18 | M16 | 8 | |
| 100 | 114,3 | 180 | 220 | 20 | 52 | 131 | 3,6 | 8 | 12 | 158 | 3 | 18 | M16 | 8 | |
| 125 | 139,7 | 210 | 250 | 22 | 55 | 156 | 4,0 | 8 | 12 | 188 | 3 | 18 | M16 | 8 | |
| 150 | 168,3 | 240 | 285 | 22 | 55 | 184 | 4,5 | 10 | 12 | 212 | 3 | 22 | M20 | 8 | |
| 200 | 219,1 | 295 | 340 | 24 | 62 | 235 | 6,30 | 10 | 16 | 268 | 3 | 22 | M20 | 12 | |
| 250 | 273,0 | 355 | 405 | 26 | 70 | 292 | 6,30 | 12 | 16 | 320 | 3 | 26 | M24 | 12 | |
| 300 | 323,9 | 410 | 460 | 28 | 78 | 344 | 7,10 | 12 | 16 | 378 | 4 | 26 | M24 | 12 | |
| 350 | 355,6 | 470 | 520 | 30 | 82 | 390 | 8,00 | 12 | 16 | 438 | 4 | 26 | M24 | 16 | |
| 400 | 406,4 | 525 | 580 | 32 | 85 | 445 | 8,00 | 12 | 16 | 490 | 4 | 30 | M27 | 16 | |
| 450 | 457,0 | 585 | 640 | 34 | 83 | 490 | 8,00 | 12 | 16 | 550 | 4 | 30 | M27 | 20 | |
| 500 | 508 | 650 | 715,0 | 36 | 84 | 548 | 8,0 | 12 | 16 | 610 | 4 | 33 | M30 | 20 | |
| 600 | 610 | 770 | 840,0 | 40 | 88 | 670 | 10,0 | 12 | 18 | 725 | 5 | 36 | M33 | 20 | |
| 700 | 711 | 840 | 910,0 | 40 | 104 | 755 | 10,0 | 12 | 18 | 795 | 5 | 36 | M33 | 24 | |
| 800 | 813 | 950 | 1025,0 | 41 | 108 | 855 | 12,5 | 12 | 20 | 900 | 5 | 39 | M36 | 24 | |
| 900 | 914 | 1050 | 1125,0 | 48 | 118 | 955 | 12,5 | 12 | 20 | 1000 | 5 | 39 | M36 | 28 | |
| 1000 | 1016 | 1170 | 1255,0 | 59 | 137 | 1058 | 12,5 | 16 | 22 | 1115 | 5 | 42 | M39 | 28 | |
| 1200 | 1219 | 1390 | 1485,0 | 78 | 160 | 1262 | 14,2 | 16 | 30 | 1330 | 5 | 48 | M45 | 32 | |
| 1400 | 1422 | 1590 | 1685,0 | 84 | 177 | 1465 | 16,0 | 16 | 30 | 1530 | 5 | 48 | M45 | 36 | |
| 1600 | 1626 | 1820 | 1930,0 | 102 | 204 | 1668 | 17,5 | 16 | 35 | 1750 | 5 | 56 | M52 | 40 | |
| 1800 | 1829 | 2020 | 2130,0 | 110 | 218 | 1870 | 20,0 | 16 | 35 | 1950 | 5 | 56 | M52 | 44 | |
| 2000 | 2032 | 2230 | 2345,0 | 124 | 238 | 2072 | 22,0 | 16 | 40 | 2150 | 5 | 62 | M56 | 48 | |

EN1092-1 PN16 TYPE 11 WELDING NECK FLANGE INDUSTRIES AND APPLICATIONS

WIDELY USED IN THE INDUSTRIES

- Pumps, Valves, and vessels in manufacturing and food processing.
- Pipe connections in industrial waterworks.
- Heat exchangers and heating systems of all sizes.
- Mining support.
- Nuclear power systems.
- Plumbing and mechanical systems.
- Assemblies in the oil, gas, and petrochemical industries.
- Fire protection systems.

marcelforged.com