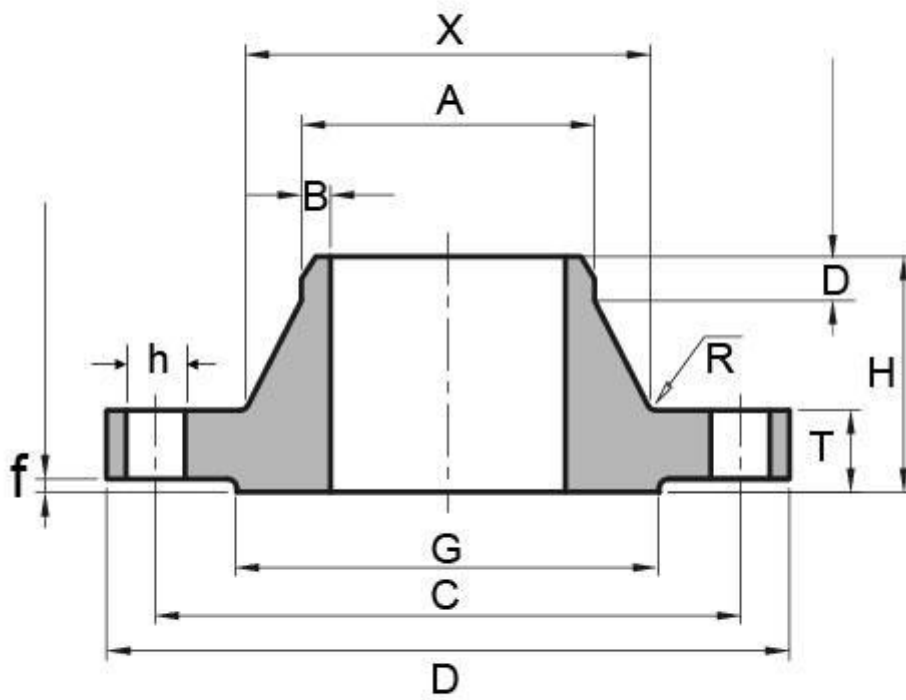


EN1092-1 PN10 Type 11 Welding Neck Flange

EN1092-1 PN10 TYPE 11 WELDING NECK FLANGE DIMENSIONS AND TECHNICAL DRAWING



EN1092-1 PN10 TYPE 11 WELDING NECK FLANGE DIMENSIONS
DIMENSIONS AND WEIGHT

Rated Diameter	Flange Dimension					Neck Size				Raised Face		Screws Parameter		
	A	C	D	T	H	X	B	R	D	G	f	h	Thread	Bolt holes
200	219,1	295	340	24	62	234	6,30	10	16	268	3	22	M20	8
250	273,0	350	395	26	68	292	6,30	12	16	320	3	22	M20	12
300	323,9	400	445	26	68	342	7,10	12	16	370	4	22	M20	12
350	355,6	460	505	26	68	385	7,10	12	16	430	4	22	M20	16
400	406,4	515	565	26	72	440	7,10	12	16	482	4	26	M24	16
450	457,0	565	615	28	72	488	7,10	12	16	532	4	26	M24	20
500	508,0	620	670	28	75	542	7,10	12	16	585	4	26	M24	20
600	610,0	725	780	30	82	642	8,00	12	18	685	5	30	M27	20
700	711,0	840	895	35	85	746	8,80	12	18	800	5	30	M27	24
800	813,0	950	1015	38	96	850	8,80	12	18	905	5	33	M30	24
900	914,0	1050	1115	38	99	950	12,50	12	20	1005	5	33	M30	28
1000	1016,0	1160	1230	44	105	1052	12,50	16	20	1110	5	36	M33	28
1200	1219,0	1380	1455	55	132	1256	12,50	16	25	1330	5	39	M36	32
1400	1422,0	1590	1675	65	143	1460	14,20	16	25	1535	5	42	M39	36
1600	1626,0	1820	1915	75	159	1666	16,00	16	25	1760	5	48	M45	40
1800	1829,0	2020	2115	85	175	1868	17,50	16	30	1960	5	48	M45	44
2000	2032,0	2230	2325	90	186	2072	17,50	16	30	2170	5	48	M45	48
2200	2235,0	2440	2550	100	202	2275	20,00	18	35	2370	5	56	M52	52
2400	2438,0	2650	2760	110	218	2478	22,20	18	35	2570	5	56	M52	56
2600	2620,0	2850	2960	110	224	2680	25,00	18	40	2780	5	56	M52	60
2800	2820,0	3070	3180	124	244	2882	25,00	18	40	3000	5	56	M52	64
3000	3020,0	3290	3405	132	257	3085	32,00	18	45	3210	5	62	M56	68

EN1092-1 PN10 TYPE 11 WELDING NECK FLANGE INDUSTRIES AND APPLICATIONS

WIDELY USED IN THE INDUSTRIES

- Pumps, Valves, and vessels in manufacturing and food processing.
- Pipe connections in industrial waterworks.
- Heat exchangers and heating systems of all sizes.
- Mining support.
- Nuclear power systems.
- Plumbing and mechanical systems.
- Assemblies in the oil, gas, and petrochemical industries.
- Fire protection systems.