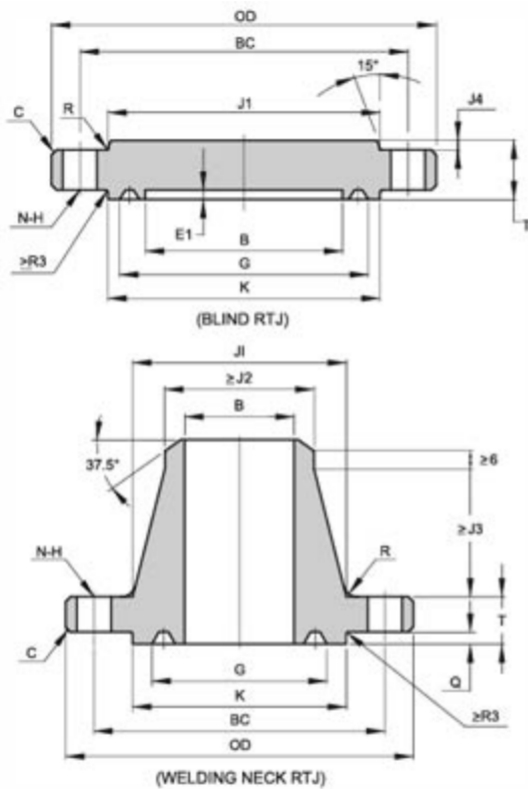


API 6A Type 6B 2000PSI Welding Neck Flange Dimensions

DIMENSION OF 2000PSI (13.8MPA) TYPE 6B BLIND AND WELDING NECK API 6A FLANGE



Size	B	OD	C	K	P	E	T	Q	X	BC	N	H	LN	HL	JL	R/
2 1/16"	53.2	165	3	108	82.55	7.9	33.4	25.4	84	127	8	20	81	60.3	53.3	
2 9/16"	65.9	190	3	127	101.6	7.9	36.6	28.6	100	149.2	8	23	88	73	63.5	2
3 1/8"	81.8	210	3	146	123.83	7.9	39.7	31.8	117	168.3	8	23	91	88.9	78.7	

4 1/16"	108.7	275	3	175	149.23	7.9	46.1	38.1	152	215.9	8	26	110	114.3	103.1	3
5 1/8"	131	330	3	210	180.98	7.9	52.4	44.5	189	266.7	8	29	122	141.3	122.9	
7 1/16"	181.8	355	6	241	211.15	7.9	55.6	47.6	222	292.1	12	29	126	168.3	147.1	4
9"	229.4	420	6	302	269.88	7.9	63.5	55.6	273	349.3	12	32	141	219.1	199.1	4
11"	280.2	510	6	356	323.85	7.9	71.5	63.5	343	431.8	16	35	160	273	248.4	
13 5/8"	346.9	560	6	413	381	7.9	74.7	66.7	400	489	20	35	-	-	-	5
16 3/4"	426.2	685	6	508	469.9	7.9	84.2	76.2	495	603.2	20	42	-	-	-	6
21 1/4"	540.5	815	6	635	584.2	9.7	98.5	88.9	610	723.9	24	45	-	-	-	

1. RING NUMBER R or RX, 2. C should be the max value 3. Tolerance and Ring Gasket according to API 6A-20TH

API 6A TYPE 6B 2000PSI BLIND / WELDING NECK FLANGE DIMENSIONS INDUSTRIES AND APPLICATIONS WIDELY USED IN THE INDUSTRIES

- Pumps, Valves, and vessels in manufacturing and food processing.
- Pipe connections in industrial waterworks.
- Heat exchangers and heating systems of all sizes.
- Mining support.
- Nuclear power systems.
- Plumbing and mechanical systems.
- Assemblies in the oil, gas, and petrochemical industries.
- Fire protection systems.