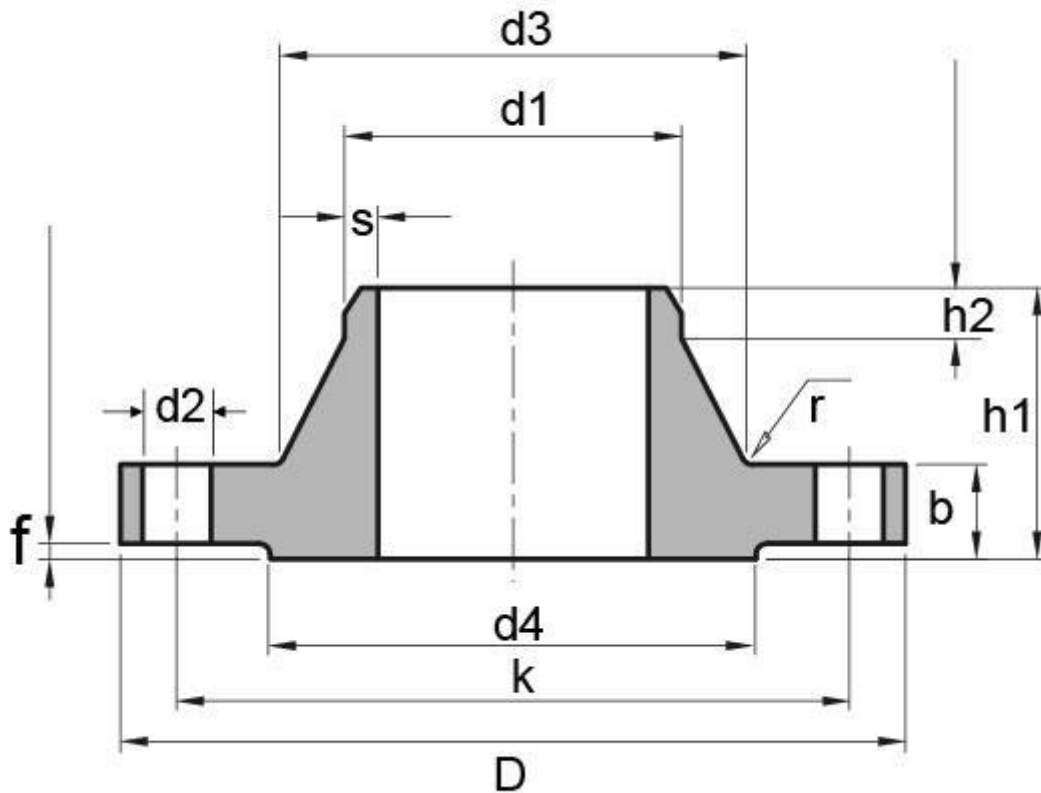


DIN 2638 PN160 Welding Neck Flange

DIN 2638 PN160 WELDING NECK FLANGE DIMENSIONS, TECHNICAL DRAWINGS, AND APPROX. FLANGE WEIGHT



DIN 2638 PN160 WELDING NECK FLANGE DIMENSIONS

Pipe Parameter	d1		Flange Dimension				Neck Size				Hub Size		Screw		Approx. Flange Weight
	ISO	DIN	D	b	k	h1	d3	s	r	h2	d4	f	No. of Holes	d2	
10	–	14	100	20	70	45	28	2	4	6	40	2	4	14	1.08
	17.2	–	100	20	70	45	32	2	4	6	40	2	4	14	1.08
15	–	20	105	20	75	45	32	2	4	6	45	2	4	14	1.19
	21.3	–	105	20	75	45	34	2	4	6	45	2	4	14	1.19
25	–	30	140	24	100	58	48	2.9	4	8	68	2	4	18	2.62
	33.7	–	140	24	100	58	52	2.9	4	8	68	2	4	18	2.62
40	–	44.5	170	28	125	64	65	3.6	6	10	88	3	4	22	4.36
	48.3	–	170	28	125	64	70	3.6	6	10	88	3	4	22	4.34
50	–	57	195	30	145	75	86	4	6	10	102	3	4	26	6.28
	60.3	–	195	30	145	75	90	4	6	10	102	3	4	26	6.27
65	76.1	–	220	34	170	82	108	5	6	12	122	3	8	26	8.61
80	88.9	–	230	36	180	86	120	6.3	8	12	138	3	8	26	10.09
100	–	108	265	40	210	100	145	8	8	12	162	3	8	30	15.28
	114.3	–	265	40	210	100	150	8	8	12	162	3	8	30	15.07
125	–	133	315	44	250	115	180	10	8	14	188	3	8	33	24.68
	139.7	–	315	44	250	115	180	10	8	14	188	3	8	33	24.09
150	–	159	355	50	290	128	210	12.5	10	14	218	3	12	33	35.14
	168.3	–	355	50	290	128	210	12.5	10	14	218	3	12	33	34.02
175	193.7	–	390	54	320	138	245	14.2	10	16	260	3	12	36	44.9
200	219.1	–	490	60	360	140	278	16	10	16	285	3	12	36	60.03
250	–	267	515	68	430	155	340	20	12	18	345	3	12	42	98.05
	273	–	515	68	430	155	340	20	12	18	345	3	12	42	96.52
300	323.9	–	585	76	500	175	400	22.2	12	18	410	4	16	42	138.8

DIN 2638 PN160 WELDING NECK FLANGE INDUSTRIES AND APPLICATIONS WIDELY USED IN THE INDUSTRIES

- Pumps, Valves, and vessels in manufacturing and food processing.
- Pipe connections in industrial waterworks.
- Heat exchangers and heating systems of all sizes.
- Mining support.
- Nuclear power systems.
- Plumbing and mechanical systems.