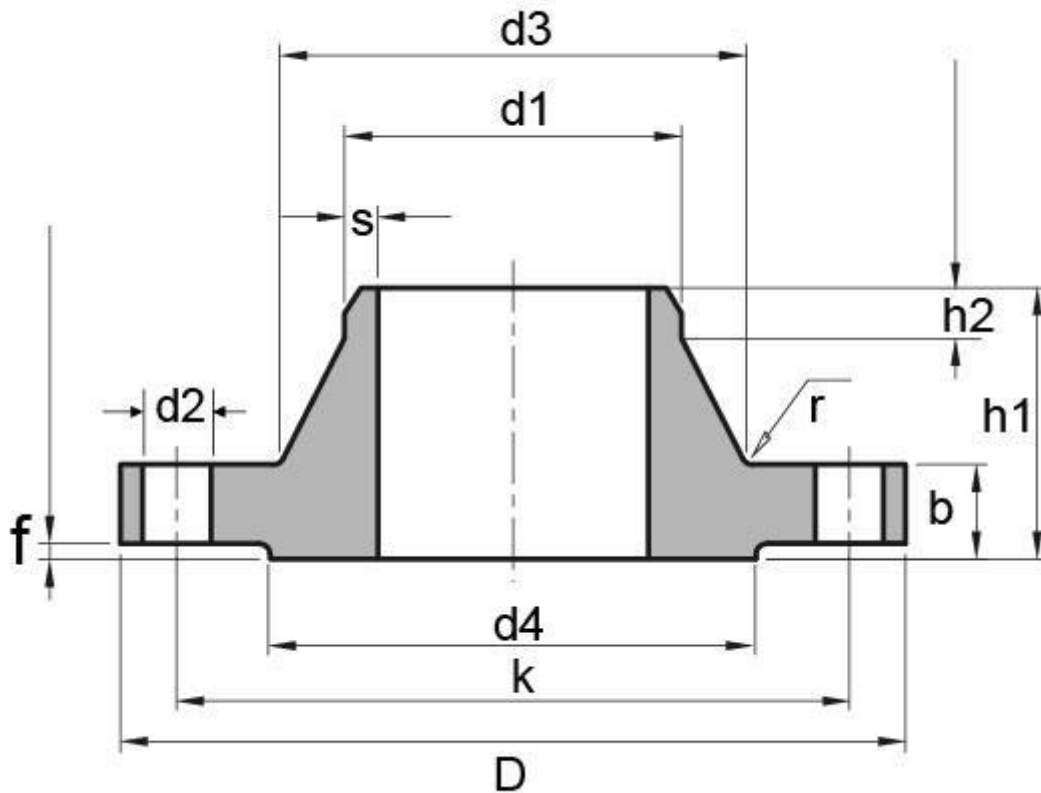


DIN 2637 PN100 Welding Neck Flange

DIN 2637 PN100 WELDING NECK FLANGE DIMENSIONS, TECHNICAL DRAWINGS, AND APPROX. FLANGE WEIGHT



DIN 2637 PN100 WELDING NECK FLANGE DIMENSIONS

Pipe Parameter	d1		Flange Dimension				Neck Size				Hub Size		Screw		Approx. Flange Weight
	ISO	DIN	D	b	k	h1	d3	s	r	h2	d4	f	No. of Holes	d2	
10	–	14	100	20	70	45	28	1.8	4	6	40	2	4	14	1.07
	17.2	–	100	20	70	45	32	1.8	4	6	40	2	4	14	1.08
15	–	20	105	20	75	45	32	2	4	6	45	2	4	14	1.19
	21.3	–	105	20	75	45	34	2	4	6	45	2	4	14	1.19
25	–	30	140	24	100	58	48	2.6	4	8	68	2	4	18	2.61
	33.7	–	140	24	100	58	52	2.6	4	8	68	2	4	18	2.6
40	–	44.5	170	26	125	62	65	2.9	6	10	88	3	4	22	4
	48.3	–	170	26	125	62	70	2.9	6	10	88	3	4	22	3.99
50	–	57	195	28	145	68	86	3.2	6	10	102	3	4	26	5.72
	60.3	–	195	28	145	68	90	3.2	6	10	102	3	4	26	5.7
65	76.1	–	220	30	170	76	108	3.6	6	12	122	3	8	26	7.43
80	88.9	–	230	32	180	78	120	4	8	12	138	3	8	26	8.58
100	–	108	265	36	210	90	145	5	8	12	162	3	8	30	13.02
	114.3	–	265	36	210	90	150	5	8	12	162	3	8	30	12.79
125	–	133	315	40	250	105	180	6.3	8	12	188	3	8	33	21.29
	139.7	–	315	40	250	105	180	6.3	8	12	188	3	8	33	20.68
150	–	159	355	44	290	115	210	7.1	10	12	218	3	12	33	28.9
	168.3	–	355	44	290	115	210	7.1	10	12	218	3	12	33	27.76
175	193.7	–	385	48	320	127	245	8.8	10	16	260	3	12	33	36.94
200	219.1	–	430	52	360	130	278	10	10	16	285	3	12	36	49.35
250	–	267	505	60	430	157	340	12.5	12	18	345	3	12	39	81.71
	273	–	505	60	430	157	340	12.5	12	18	345	3	12	39	80.09
300	323.9	–	585	68	500	170	400	14.2	12	18	410	4	16	42	116.25
350	355.6	–	655	74	560	189	460	16	12	20	465	4	16	48	166.09
	–	368	655	74	560	189	460	16	12	20	465	4	16	48	160.53

DIN 2637 PN100 WELDING NECK FLANGE INDUSTRIES AND APPLICATIONS

WIDELY USED IN THE INDUSTRIES

- Pumps, Valves, and vessels in manufacturing and food processing.
- Pipe connections in industrial waterworks.
Heat exchangers and heating systems of all sizes.