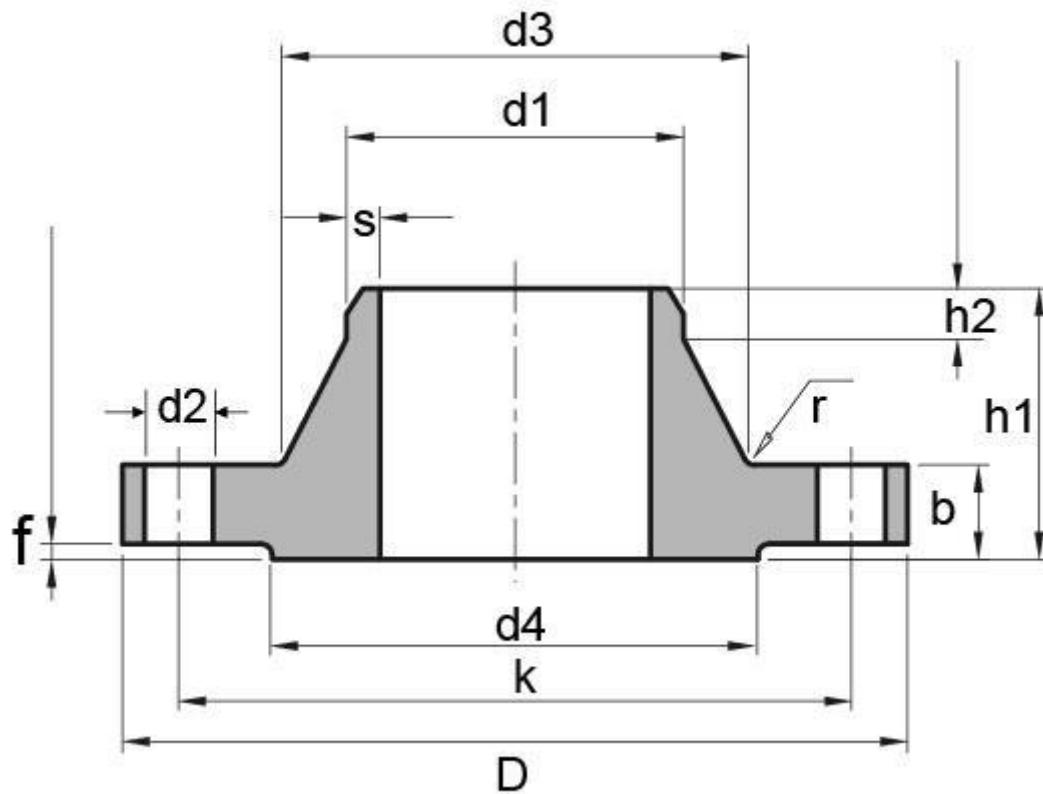


DIN 2636 PN64 Welding Neck Flange

DIN 2636 PN64 WELDING NECK FLANGE DIMENSIONS, TECHNICAL DRAWINGS, AND APPROX. FLANGE WEIGHT



DIN 2636 PN64 WELDING NECK FLANGE DIMENSIONS

Pipe Parameter	d1		Flange Dimension				Neck Size				Hub Size		Screw		Approx. Flange Weight KG/PCS
	ISO	DIN	D	b	k	h1	d3	s	r	h2	d4	f	No. of Holes	d2	
10	–	14	100	20	70	45	28	1.8	4	6	40	2	4	14	1.07
	17.2	–	100	20	70	45	32	1.8	4	6	40	2	4	14	1.08
15	–	20	105	20	75	45	32	2	4	6	45	2	4	14	1.19
	21.3	–	105	20	75	45	34	2	4	6	45	2	4	14	1.19
25	–	30	140	24	100	58	48	2.6	4	8	68	2	4	18	2.61
	33.7	–	140	24	100	58	52	2.6	4	8	68	2	4	18	2.6
40	–	44.5	170	26	125	62	65	2.9	6	10	88	3	4	22	4
	48.3	–	170	26	125	62	70	2.9	6	10	88	3	4	22	3.99
50	–	57	180	26	135	62	78	2.9	6	10	102	3	4	22	4.45
	60.3	–	180	26	135	62	82	2.9	6	10	102	3	4	22	4.42
65	76.1	–	205	26	160	66	98	3.2	6	12	122	3	8	22	5.49
80	88.9	–	215	28	170	72	112	3.6	8	12	138	3	8	22	6.5
100	–	108	250	30	200	76	132	4	8	12	162	3	8	26	9.25
	114.3	–	250	30	200	76	138	4	8	12	162	3	8	26	9.06
125	–	133	295	34	240	88	162	4.5	8	12	188	3	8	30	14.53
	139.7	–	295	34	240	88	168	4.5	8	12	188	3	8	30	14.23
150	–	159	345	36	280	95	192	5.6	10	12	218	3	8	33	21.35
	168.3	–	345	36	280	95	202	5.6	10	12	218	3	8	33	20.92
175	193.7	–	375	40	310	105	228	6.3	10	16	260	3	12	33	26.28
200	219.1	–	415	42	345	110	256	7.1	10	16	285	3	12	36	33.56
250	–	267	470	46	400	125	310	8.8	12	18	345	3	12	36	47.98
	273	–	470	46	400	125	316	8.8	12	18	345	3	12	36	47.32
300	323.9	–	530	52	460	140	372	11	12	18	410	4	16	36	66.44
350	355.6	–	600	56	525	150	420	12.5	12	20	465	4	16	39	96.23
	–	368	600	56	525	150	420	12.5	12	20	465	4	16	39	91.77
400	406.4	–	670	60	585	160	475	14.2	12	20	535	4	16	42	127.7
	–	419	670	60	585	160	475	14.2	12	20	535	4	16	42	122.13