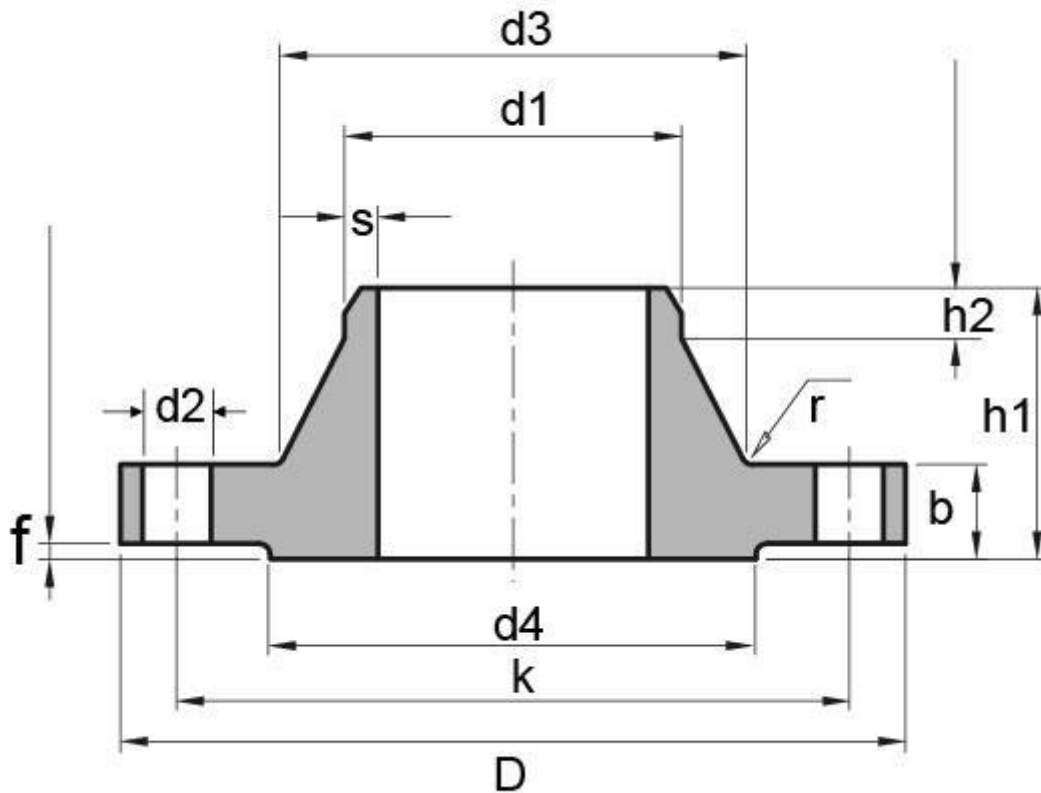


## DIN 2635 PN40 Welding Neck Flange

DIN 2635 PN40 WELDING NECK FLANGE DIMENSIONS, TECHNICAL DRAWINGS, AND APPROX. FLANGE WEIGHT



DIN 2635 PN40 WELDING NECK FLANGE DIMENSIONS

Pipe Parameter	d1		Flange Dimension				Neck Size				Hub Size		Screw		Approx. Flange Weight
	ISO	DIN	D	b	k	h1	d3	s	r	h2	d4	f	No. of Holes	d2	
10	–	14	90	16	60	35	25	1.8	4	6	40	2	4	14	0.67
	17.2	–	90	16	60	35	28	1.8	4	6	40	2	4	14	0.66
15	–	20	95	16	65	38	30	2	4	6	45	2	4	14	0.75
	21.3	–	95	16	65	38	32	2	4	6	45	2	4	14	0.75
20	–	25	105	18	75	40	48	2.3	4	6	58	2	4	14	1.07
	26.9	–	105	18	75	40	40	2.3	4	6	58	2	4	14	1.07
25	–	30	115	18	85	40	42	2.6	4	6	68	2	4	14	1.29
	33.7	–	115	18	85	40	46	2.6	4	6	68	2	4	14	1.28
32	–	38	140	18	100	42	52	2.6	6	6	78	2	4	18	1.88
	42.4	–	140	18	100	42	56	2.6	6	6	78	2	4	18	1.86
40	–	44.5	150	18	110	45	60	2.6	6	7	88	3	4	18	2.1
	48.3	–	150	18	110	45	64	2.6	6	7	88	3	4	18	2.08
50	–	57	165	20	125	48	72	2.9	6	8	102	3	4	18	2.81
	60.3	–	165	20	125	48	75	2.9	6	8	102	3	4	18	2.78
65	76.1	–	185	22	145	52	90	2.9	6	10	122	3	8	18	3.81
80	88.9	–	200	24	160	58	105	3.2	8	12	138	3	8	18	4.62
100	–	108	235	24	190	65	128	3.8	8	12	162	3	8	22	6.42
	114.3	–	235	24	190	65	134	3.6	8	12	162	3	8	22	6.27
125	–	133	270	26	220	68	155	4	8	12	188	3	8	26	8.83
	139.7	–	270	26	220	68	162	4	8	12	188	3	8	26	8.61
150	–	159	300	28	250	75	182	4.5	10	12	218	3	8	26	11.67
	168.3	–	300	28	250	75	192	4.5	10	12	218	3	8	26	11.29
175	193.7	–	350	32	295	82	218	5.6	10	15	260	3	12	30	17.01
200	219.1	–	375	34	320	88	244	6.3	10	16	285	3	12	30	20.49
250	–	267	450	38	385	105	298	7.1	12	18	345	3	12	33	33.75
	273	–	450	38	385	105	306	7.1	12	18	345	3	12	33	33.34
300	323.9	–	515	42	450	115	362	8	12	18	410	4	16	33	46.55
350	355.6	–	580	46	510	125	408	8.8	12	20	465	4	16	36	67.73
	–	368	580	46	510	125	408	8.8	12	20	465	4	16	36	63.96
400	406.4	–	660	50	585	135	462	11	12	20	535	4	16	39	96.73

	–	419	660	50	585	135	462	11	12	20	535	4	16	39	91.99
500	508	–	755	52	670	140	562	14.2	12	20	615	4	20	42	120.96

## DIN 2635 PN40 WELDING NECK FLANGE INDUSTRIES AND APPLICATIONS

WIDELY USED IN THE INDUSTRIES

- Pumps, Valves, and vessels in manufacturing and food processing.
- Pipe connections in industrial waterworks.
- Heat exchangers and heating systems of all sizes.
- Mining support.
- Nuclear power systems.
- Plumbing and mechanical systems.
- Assemblies in the oil, gas, and petrochemical industries.
- Fire protection systems.

marcelforged.com