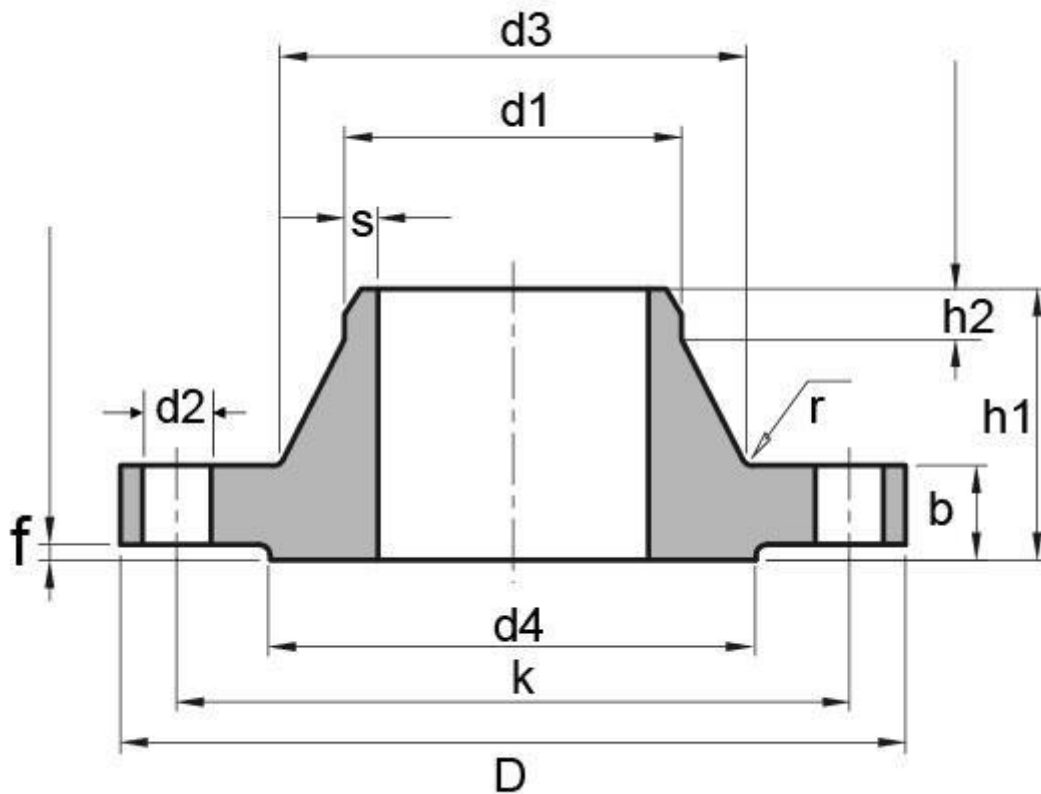


DIN 2633 PN16 Welding Neck Flange

DIN 2633 PN16 WELDING NECK FLANGE DIMENSIONS, TECHNICAL DRAWINGS, AND APPROX. FLANGE WEIGHT



DIN 2633 PN16 WELDING NECK FLANGE DIMENSIONS

Pipe Parameter	d1		Flange Dimension				Neck Size				Hub Size		Screw		App Flan Wei
	ISO	DIN	D	b	k	h1	d3	s	r	h2	d4	f	No. of Holes	d2	
10	–	14	90	14	60	35	25	1.8	4	6	40	2	4	14	0.58
	17.2	–	90	14	60	35	28	1.8	4	6	40	2	4	14	0.58
15	–	20	95	14	65	35	30	2	4	6	45	2	4	14	0.65
	21.3	–	95	14	65	35	32	2	4	6	45	2	4	14	0.65
20	–	25	105	16	75	38	38	2.3	4	6	58	2	4	14	0.95
	26.9	–	105	16	75	38	40	2.3	4	6	58	2	4	14	0.95
25	–	30	115	16	85	38	42	2.6	4	6	68	2	4	14	1.15
	33.7	–	115	16	85	38	45	2.6	4	6	68	2	4	14	1.14
32	–	38	140	16	100	40	52	2.6	6	6	78	2	4	18	1.67
	42.4	–	140	16	100	40	56	2.6	6	6	78	2	4	18	1.65
40	–	44.5	150	16	110	42	60	2.6	6	7	88	3	4	18	1.85
	48.3	–	150	16	110	42	64	2.6	6	7	88	3	4	18	1.83
50	–	57	165	18	125	45	72	2.9	6	8	102	3	4	18	2.51
	60.3	–	165	18	125	45	75	2.9	6	8	102	3	4	18	2.48
65	76.1	–	185	18	145	45	90	2.9	6	10	122	3	4	18	3.03
80	88.9	–	200	20	160	50	105	3.2	8	10	138	3	8	18	3.82
100	–	108	220	20	180	52	125	3.6	8	12	158	3	8	18	4.54
	114.3	–	220	20	180	52	131	3.6	8	12	158	3	8	18	4.41
125	–	133	250	22	210	55	150	4	8	12	188	3	8	18	6.28
	139.7	–	250	22	210	55	156	4	8	12	188	3	8	18	6.07
150	–	159	285	22	240	55	175	4.5	10	12	212	3	8	22	7.75
	168.3	–	285	22	240	55	184	4.5	10	12	212	3	8	22	7.4
175	193.7	–	315	24	270	60	210	5.4	10	12	242	3	8	22	9.86
200	219.1	–	340	24	295	62	235	5.9	10	16	268	3	12	22	10.8
250	–	267	405	26	355	70	285	6.3	12	16	320	3	12	26	16.2
	273	–	405	26	355	70	292	6.3	12	16	320	3	12	26	15.8
300	323.9	–	460	28	410	78	344	7.1	12	16	378	4	12	26	21.2
350	355.6	–	520	30	470	82	390	8	12	16	438	4	16	26	31.3
	–	368	520	30	470	82	390	8	12	16	438	4	16	26	28.9
400	406.4	–	580	32	525	85	445	8	12	16	490	4	16	30	39.3

	–	419	580	32	525	85	445	8	12	16	490	4	16	30	36.3
500	508	–	715	34	650	90	548	8	12	16	610	4	20	33	59.6
600	610	–	840	36	770	95	652	8.8	12	18	725	5	20	36	82.5
700	711	–	910	36	840	100	755	8.8	12	18	795	5	24	36	83.9
800	813	–	1025	38	950	105	855	10	12	20	900	5	24	39	107.
900	914	–	1125	40	1050	110	955	10	12	20	1000	5	28	39	124.
1000	1016	–	1255	42	1170	120	1058	10	16	22	1115	5	28	42	163.
1200	1220	–	1485	48	1390	130	1262	12.5	16	30	1330	5	32	48	244
1400	1420	–	1685	52	1590	145	1465	14.2	16	30	1530	5	36	48	320.
1600	1620	–	1930	58	1820	160	1668	16	16	35	1750	5	40	56	465
1800	1820	–	2130	62	2020	170	1870	17.5	16	35	1950	5	44	56	570.
2000	2020	–	2345	66	2230	180	2072	20	16	40	2150	5	48	62	706

DIN 2633 PN16 WELDING NECK FLANGE INDUSTRIES AND APPLICATIONS

WIDELY USED IN THE INDUSTRIES

- Pumps, Valves, and vessels in manufacturing and food processing.
- Pipe connections in industrial waterworks.
- Heat exchangers and heating systems of all sizes.
- Mining support.
- Nuclear power systems.
- Plumbing and mechanical systems.
- Assemblies in the oil, gas, and petrochemical industries.
- Fire protection systems.