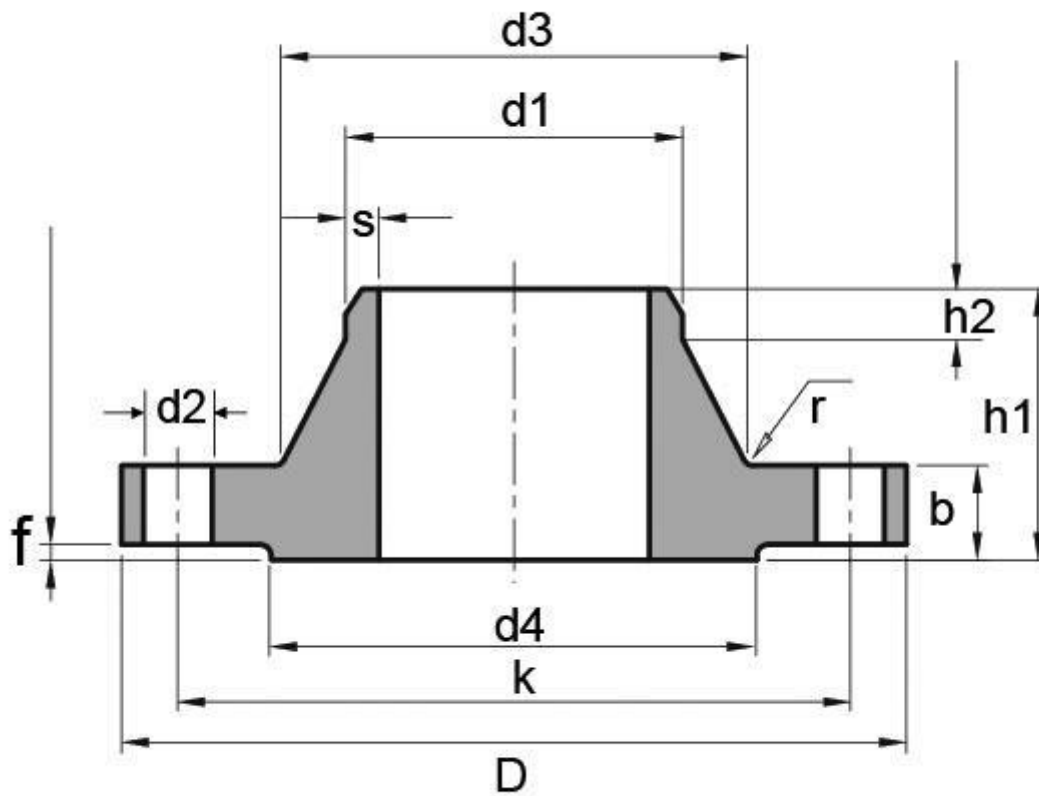


DIN 2632 PN10 Welding Neck Flange

DIN 2632 PN10 WELDING NECK FLANGE DIMENSIONS, TECHNICAL DRAWINGS, AND APPROX. FLANGE WEIGHT



DIN 2632 PN10 WELDING NECK FLANGE DIMENSIONS

Pipe Parameter	d1		Flange Dimension				Neck Size				Hub Size		Screw		App Flan We
	ISO	DIN	D	b	k	h1	d3	s	r	h2	d4	f	No. of Holes	d2	
10	–	14	90	14	60	35	25	1.8	4	6	40	2	4	14	0.58
	17.2	–	90	14	60	35	28	1.8	4	6	40	2	4	14	0.58
15	–	20	95	14	65	35	30	2	4	6	45	2	4	14	0.65
	21.3	–	95	14	65	35	32	2	4	6	45	2	4	14	0.65
20	–	25	105	16	75	38	38	2.3	4	6	58	2	4	14	0.95
	26.9	–	105	16	75	38	40	2.3	4	6	58	2	4	14	0.95
25	–	30	115	16	85	38	42	2.6	4	6	68	2	4	14	1.15
	33.7	–	115	16	85	38	45	2.6	4	6	68	2	4	14	1.14
32	–	38	140	16	100	40	52	2.6	6	6	78	2	4	18	1.67
	42.4	–	140	16	100	40	55	2.6	6	6	78	2	4	18	1.65
40	–	44.5	150	16	110	42	60	2.6	6	7	88	3	4	18	1.85
	48.3	–	150	16	110	42	64	2.6	6	7	88	3	4	18	1.83
50	–	57	165	18	125	45	72	2.9	6	8	102	3	4	18	2.51
	60.3	–	165	18	125	45	75	2.9	6	8	102	3	4	18	2.48
65	76.1	–	165	18	145	45	90	2.9	6	10	122	3	4	18	3.03
80	88.9	–	200	20	160	50	105	3.2	6	10	138	3	8	18	3.82
100	–	108	220	20	180	52	125	3.6	8	12	158	3	8	18	4.54
	114.3	–	220	20	180	52	131	3.6	8	12	158	3	8	18	4.41
125	–	133	250	22	210	55	150	4	8	12	188	3	8	18	6.28
	139.7	–	250	22	210	55	156	4	8	12	188	3	8	18	6.07
150	–	159	285	22	240	55	175	4.5	10	12	212	3	8	22	7.75
	168.3	–	285	22	240	55	184	4.5	10	12	212	3	8	22	7.4
200	219.1	–	340	24	295	62	235	5.9	10	16	268	3	8	22	11.1
250	–	267	395	26	350	68	285	6.3	12	16	320	3	12	22	15.3
	273	–	395	26	350	68	292	6.3	12	16	320	3	12	22	14.9
300	323.9	–	445	26	400	68	344	7.1	12	16	370	4	12	22	17.4
350	355.6	–	505	26	460	66	385	7.1	12	16	430	4	16	22	23.7
	–	368	505	26	460	68	385	7.1	12	16	430	4	16	22	21.7
400	406.4	–	565	26	515	72	440	7.1	12	16	482	4	16	26	28.7
	–	419	565	26	515	72	440	7.1	12	16	482	4	16	26	26.2

450	457.2	–	615	26	565	72	478	7.1	12	16	532	4	20	26	30.4
500	508	–	670	28	620	75	542	7.1	12	16	585	4	20	26	38.2
600	610	–	780	28	725	80	642	7.1	12	18	685	5	20	30	46.5
700	711	–	895	30	840	80	745	8	12	18	800	5	24	30	62.3
800	813	–	1015	32	950	90	850	8	12	18	905	5	24	33	83.8
900	914	–	1115	34	1050	95	950	10	12	20	1005	5	28	33	102.
1000	1016	–	1230	34	1160	95	1052	10	16	20	1110	5	28	36	118.
1200	1220	–	1455	36	1380	115	1255	11	16	25	1330	5	32	39	178.
1400	1420	–	1675	42	1590	120	1460	12	16	25	1535	5	36	42	244
1600	1620	–	1915	46	1820	130	1665	14	16	25	1760	5	40	48	353
1800	1820	–	2115	50	2020	140	1868	15	16	30	1960	5	44	48	436
2000	2020	–	2325	54	2230	150	2072	16	16	30	2170	5	46	48	548
2200	2220	–	2550	58	2440	160	2275	18	18	35	2370	5	52	56	685
2400	2420	–	2760	62	2650	170	2478	20	18	35	2570	5	56	56	640
2600	2620	–	2860	66	2850	180	2690	22	18	40	2780	6	60	56	990
2800	2820	–	3180	70	3070	190	2882	22	18	40	3000	6	64	56	1187
3000	3020	–	3405	75	3290	200	3085	24	18	45	3210	6	65	62	143

DIN 2632 PN10 WELDING NECK FLANGE INDUSTRIES AND APPLICATIONS

WIDELY USED IN THE INDUSTRIES

- Pumps, Valves, and vessels in manufacturing and food processing.
- Pipe connections in industrial waterworks.
- Heat exchangers and heating systems of all sizes.
- Mining support.
- Nuclear power systems.
- Plumbing and mechanical systems.
- Assemblies in the oil, gas, and petrochemical industries.
- Fire protection systems.