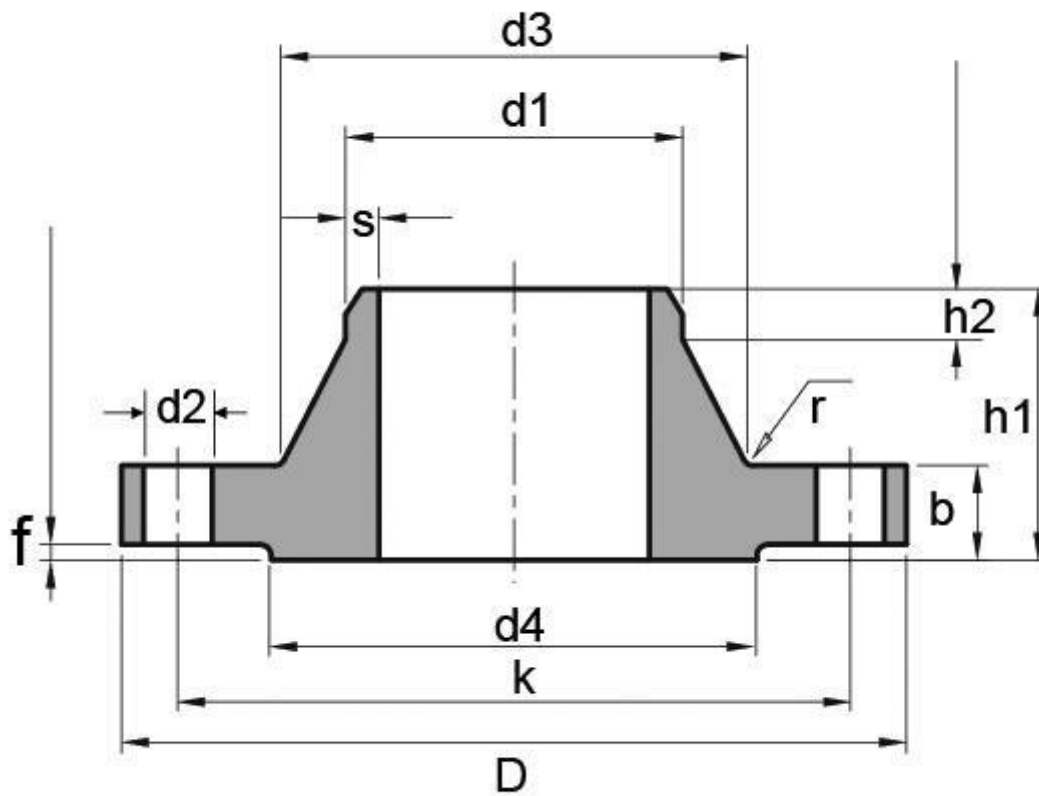


## DIN 2631 PN6 Welding Neck Flange

DIN 2631 PN6 WELDING NECK FLANGE DIMENSIONS, TECHNICAL DRAWINGS, AND APPROX. FLANGE WEIGHT



DIN 2631 PN6 WELDING NECK FLANGE DIMENSIONS

Pipe Parameter			Flange Dimension				Neck Size				Hub Size		Screw		Approx. Flange Weight
DN	ISO	DIN	D	b	k	h1	d3	s	r	h2	d4	f	No. of Holes	d2	KG/PCS
10	–	14	75	12	50	28	22	1.8	4	6	35	2	4	11	0.34
	17.2	–	75	12	50	28	26	1.8	4	6	35	2	4	11	0.34
15	–	20	80	12	55	30	28	2	4	6	40	2	4	11	0.39
	21.3	–	80	12	55	30	30	2	4	6	40	2	4	11	0.4
20	–	25	90	14	65	32	35	2.3	4	6	50	2	4	11	0.6
	26.9	–	90	14	65	32	38	2.3	4	6	50	2	4	11	0.6
25	–	30	100	14	75	35	40	2.6	4	6	60	2	4	11	0.76
	33.7	–	100	14	75	35	42	2.6	4	6	60	2	4	11	0.75
32	–	38	120	14	90	35	50	2.6	6	6	70	2	4	14	1.07
	42.4	–	120	14	90	35	55	2.6	6	6	70	2	4	14	1.06
40	–	44.5	130	14	100	38	58	2.6	6	7	80	3	4	14	1.21
	46.3	–	130	14	100	38	62	2.6	6	7	80	3	4	14	1.2
50	–	57	140	14	110	38	70	2.9	6	8	90	3	4	14	1.37
	60.3	–	140	14	110	38	74	2.9	6	8	90	3	4	14	1.36
65	76.1	–	160	14	130	38	88	2.9	6	9	110	3	4	14	1.69
80	88.9	–	190	16	150	42	102	3.2	8	10	128	3	4	18	2.72
100	–	108	210	16	170	45	122	3.6	8	10	148	3	4	18	3.29
	114.3	–	210	16	170	45	130	3.6	8	10	148	3	4	18	3.22
125	–	133	240	18	200	48	148	4	8	10	178	3	8	18	4.58
	139.7	–	240	18	200	48	155	4	8	10	178	3	8	18	4.42
150	–	159	265	18	225	48	172	4.5	10	12	202	3	8	18	5.26
	158.3	–	265	18	225	48	184	4.5	10	12	202	3	8	18	5.04
200	219.1	–	320	20	280	55	236	5.9	10	15	258	3	8	18	7.95
250	–	267	375	22	335	60	282	6.3	12	15	312	3	12	18	11.16
	273	–	375	22	335	60	290	6.3	12	15	312	3	12	18	10.87
300	323.9	–	440	22	395	62	342	7.1	12	15	365	4	12	22	14.26
350	355.6	–	490	22	445	62	385	7.1	12	15	415	4	12	22	18.54
	–	368	490	22	445	62	385	7.1	12	15	415	4	12	22	16.78
400	406.6	–	540	22	495	65	438	7.1	12	15	465	4	16	22	21.25
	–	419	540	22	495	65	438	7.1	12	15	465	4	16	22	19.1

500	508	–	645	24	600	68	538	7.1	12	15	570	4	20	22	28.67
600	610	–	755	24	705	70	640	7.1	12	16	670	5	20	26	34.8
700	711	–	860	24	810	70	740	7.1	12	16	775	5	24	26	40.94
800	813	–	975	24	920	70	842	7.1	12	16	880	5	24	30	49.19
900	914	–	1075	26	1020	70	942	7.1	12	16	980	5	24	30	58.1
1000	1016	–	1175	26	1120	70	1045	7.1	16	16	1080	5	28	30	63.48
1200	1220	–	1405	28	1340	90	1248	8	16	20	1295	5	32	33	100.17
1400	1420	–	1630	32	1560	90	1452	8	16	20	1510	5	36	36	142.78
1600	1620	–	1830	34	1760	90	1655	9	16	20	1710	5	40	36	174.36
1800	1820	–	2045	36	1970	100	1855	10	16	20	1920	5	44	39	226.98
2000	2020	–	2265	38	2180	110	2058	11	16	25	2125	5	48	42	292.12
2200	2220	–	2475	42	2390	115	2260	12	18	25	2335	6	52	42	366.33
2400	2420	–	2685	44	2600	125	2462	13	18	25	2545	6	56	42	448.52
2600	2620	–	2905	46	2810	130	2665	14	18	25	2750	6	60	48	540.16
2800	2820	–	3115	48	3020	135	2865	15	18	30	2960	6	64	48	630.03
3000	3020	–	3315	50	3220	140	3068	16	18	30	3160	6	68	48	716.33
3200	3220	–	3525	54	3430	150	3272	16	20	30	3370	6	72	48	854.42
3400	3420	–	3735	46	3640	160	3475	18	20	35	3580	6	76	48	887.81
3600	3620	–	3970	60	3860	165	3678	18	20	35	3790	6	80	56	1202.43

## DIN 2631 PN6 WELDING NECK FLANGE INDUSTRIES AND APPLICATIONS

WIDELY USED IN THE INDUSTRIES

- Pumps, Valves, and vessels in manufacturing and food processing.
- Pipe connections in industrial waterworks.
- Heat exchangers and heating systems of all sizes.
- Mining support.
- Nuclear power systems.
- Plumbing and mechanical systems.
- Assemblies in the oil, gas, and petrochemical industries.
- Fire protection systems.