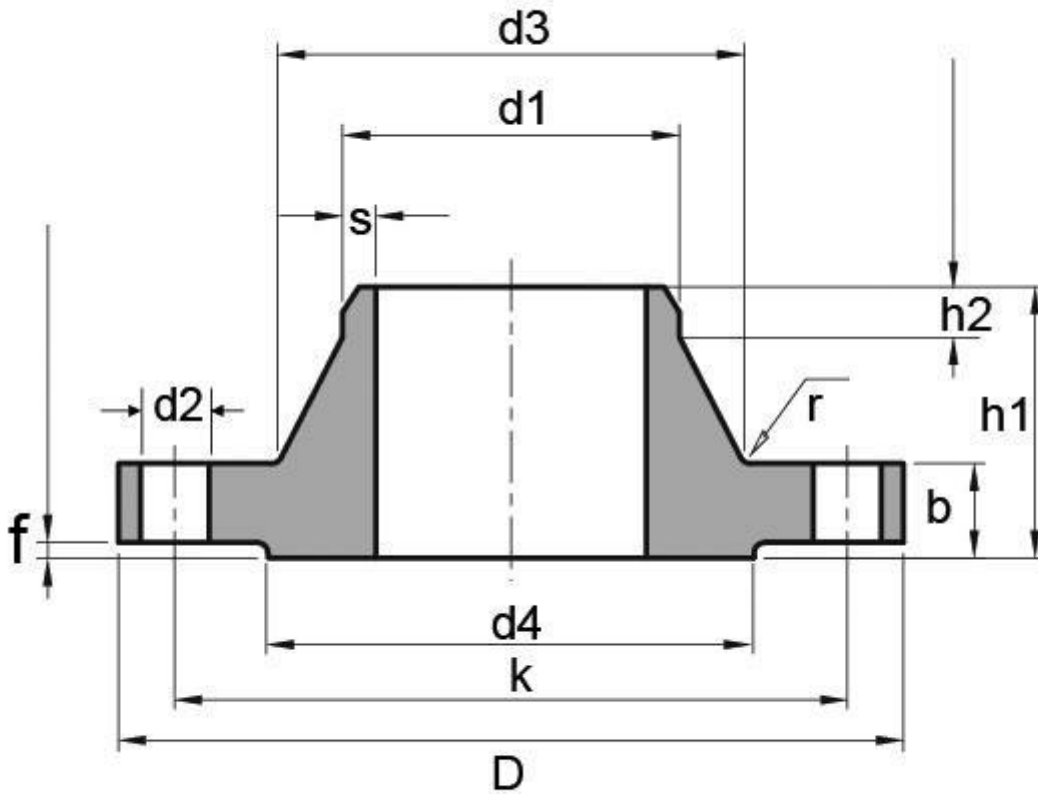


DIN 2630 PN2.5 Welding Neck Flange

DIN 2630 PN2.5 WELDING NECK FLANGE DIMENSIONS, TECHNICAL DRAWINGS, AND APPROX. FLANGE WEIGHT



DIN 2630 PN2.5 WELDING NECK FLANGE DIMENSIONS

Pipe Parameter	d1		Flange Dimension				Neck Size				Hub Size		Screw		App Flan Wei
	ISO	DIN	D	b	k	h1	d3	s	r	h2	d4	f	No. of Holes	d2	
10	–	14	75	12	50	28	22	1.8	4	6	35	2	4	11	0.34
	17.2	–	75	12	50	28	26	1.8	4	6	35	2	4	11	0.34
15	–	20	80	12	55	30	28	2	4	6	40	2	4	11	0.39
	21.3	–	80	12	55	30	30	2	4	6	40	2	4	11	0.46
20	–	25	90	14	65	32	35	2.3	4	6	50	2	4	11	0.6
	26.9	–	90	14	65	32	38	2.3	4	6	50	2	4	11	0.6
25	–	30	100	14	75	35	40	2.6	4	6	60	2	4	11	0.78
	33.7	–	100	14	75	35	42	2.6	4	6	60	2	4	11	0.78
32	–	38	120	14	90	35	50	2.6	6	6	70	2	4	14	1.07
	42.4	–	120	14	90	35	55	2.6	6	6	70	2	4	14	1.06
40	–	44.5	130	14	100	38	55	2.6	6	7	80	3	4	14	1.21
	48.3	–	130	14	100	38	62	2.6	6	7	80	3	4	14	1.2
50	–	57	140	14	110	38	70	2.9	6	8	90	3	4	14	1.37
	60.3	–	140	14	110	38	74	2.9	6	8	90	3	4	14	1.36
65	76.1	–	160	14	130	38	88	2.9	6	9	110	3	4	14	1.6
80	88.9	–	190	16	150	42	102	3.2	8	10	128	3	4	18	2.72
100	–	106	210	16	170	45	122	3.6	8	10	148	3	4	18	3.2
	114.3	–	210	16	170	45	130	3.6	8	10	148	3	4	18	3.22
125	–	133	240	18	200	48	148	4	8	10	178	3	8	18	4.58
	139.7	–	240	18	200	48	155	4	8	10	178	3	8	18	4.42
150	–	159	265	18	225	48	172	4.5	10	12	202	3	8	18	5.26
	166.3	–	265	18	225	48	184	4.5	10	12	202	3	8	18	5.04
200	219.1	–	320	20	280	55	236	5.9	10	15	258	3	8	18	7.95
250	–	267	375	22	335	60	282	6.3	12	15	312	3	12	18	11.16
	273	–	375	22	335	60	290	6.3	12	16	312	3	12	18	10.57
300	323.9	–	440	22	395	62	342	7.1	12	15	365	4	12	22	14.26
350	355.6	–	490	22	445	62	385	7.1	12	15	415	4	12	22	18.56
	–	368	490	22	445	62	385	7.1	12	15	415	4	12	22	16.76
400	406.4	–	540	22	495	65	438	7.1	12	15	465	4	16	22	21.25
	–	419	540	22	495	65	438	7.1	12	15	465	4	16	22	19.1

500	506	–	645	24	600	68	538	7.1	12	15	570	4	20	22	23.57
600	610	–	755	24	705	70	640	7.1	12	16	670	5	20	26	34.5
700	711	–	660	24	810	70	740	7.1	12	16	775	5	24	26	40
800	813	–	975	24	920	70	842	7.1	12	16	880	5	24	30	48.18
900	914	–	1075	26	1020	70	942	7.1	12	16	980	5	24	30	58.1
1000	1016	–	1175	26	1120	70	1045	7.1	16	16	1080	5	25	30	63.4
1200	1220	–	1375	26	1320	70	1245	7	16	16	1280	5	32	30	72.8
1400	1420	–	1575	26	1520	70	1445	7	16	16	1480	5	36	30	84.5
1600	1620	–	1790	26	1730	80	1645	8	16	20	1680	5	40	30	111.57
1800	1820	–	1990	26	1930	80	1845	9	16	20	1890	5	44	30	128.4
2000	2020	–	2190	26	2130	80	2045	10	18	22	2090	5	48	30	145
2200	2220	–	2405	28	2340	90	2248	10	18	25	2295	6	52	33	184.1
2400	2420	–	2605	28	2540	90	2448	10	18	25	2495	6	56	32	200.
2600	2620	–	2805	28	2740	90	2648	10	18	25	2695	6	60	33	216
2800	2820	–	3030	30	2960	90	2848	10	18	25	2910	6	64	36	268.
3000	3020	–	3230	30	3160	90	3050	10	18	25	3110	6	66	36	285
3200	3220	–	3430	30	3350	90	3250	10	20	25	3310	6	72	36	306.
3400	3420	–	3630	32	3560	95	3450	10	20	28	3510	6	76	36	346.
3600	3620	–	3340	32	3770	100	3652	10	20	28	3720	6	80	36	305.
3800	3820	–	4045	34	3970	100	3852	10	20	28	3920	6	80	–	–
4000	4020	–	4245	34	4170	100	4052	10	20	28	4120	6	84	–	–

DIN 2630 PN2.5 WELDING NECK FLANGE INDUSTRIES AND APPLICATIONS

WIDELY USED IN THE INDUSTRIES

- Pumps, Valves, and vessels in manufacturing and food processing.
- Pipe connections in industrial waterworks.
- Heat exchangers and heating systems of all sizes.
- Mining support.
- Nuclear power systems.
- Plumbing and mechanical systems.
- Assemblies in the oil, gas, and petrochemical industries.
- Fire protection systems.