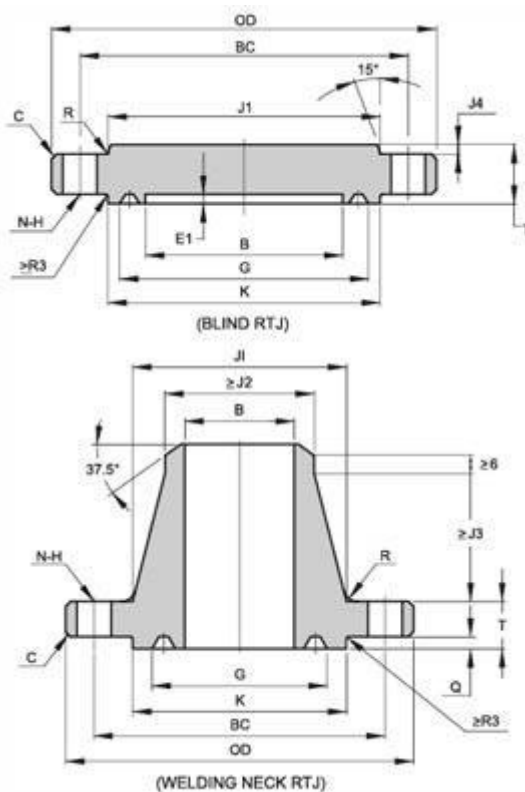


## API 6A Type 6BX 15000PSI Blind / API 6A Welding Neck Flange Dimension

DIMENSION OF 15000PSI(103.5MPA) TYPE 6BX BLIND AND API 6A  
WELDING NECK FLANGE



| Size        | B    | OD  | C | E1 | Q    | G     | K   | T    | J1   | J2   | J3   | J4 | R  | BC    |
|-------------|------|-----|---|----|------|-------|-----|------|------|------|------|----|----|-------|
| 1<br>13/16" | 46.8 | 210 | 3 | -  | 5.56 | 77.77 | 106 | 45.3 | 97.6 | 71.4 | 47.6 | -  | 10 | 160.3 |

|            |       |      |   |      |       |        |     |       |       |       |       |      |    |       |
|------------|-------|------|---|------|-------|--------|-----|-------|-------|-------|-------|------|----|-------|
| 2<br>1/16" | 53.2  | 220  | 3 | -    | 5.95  | 86.23  | 114 | 50.8  | 111.1 | 82.5  | 54    | -    | 10 | 174.6 |
| 2<br>9/16" | 65.9  | 255  | 3 | -    | 6.75  | 102.77 | 133 | 57.2  | 128.6 | 100   | 57.1  | -    | 10 | 200   |
| 3<br>1/16" | 78.6  | 290  | 3 | -    | 7.54  | 119    | 154 | 64.3  | 154   | 122.2 | 63.5  | -    | 10 | 230.2 |
| 4<br>1/16" | 104   | 360  | 3 | -    | 8.33  | 150.62 | 194 | 78.6  | 195.3 | 158.7 | 73    | -    | 10 | 290.5 |
| 5 1/8"     | 131   | 420  | 3 | 9.5  | 9.53  | 176.66 | 225 | 98.5  | 244.5 | 200   | 81.8  | 6.4  | 16 | 342.9 |
| 7<br>1/16" | 180.2 | 505  | 6 | 11.1 | 11.11 | 241.83 | 305 | 119.1 | 325.4 | 276.2 | 92.1  | 7.9  | 16 | 428.6 |
| 9 "        | 229.4 | 650  | 6 | 12.7 | 12.7  | 299.06 | 381 | 146.1 | 431.8 | 349.2 | 123.8 | 14.2 | 16 | 552.4 |
| 11"        | 280.2 | 815  | 6 | 14.3 | 14.29 | 357.23 | 454 | 187.4 | 584.2 | 427   | 235.7 | 12.7 | 16 | 711.2 |
| 13<br>5/8" | 346.9 | 885  | 6 | 15.9 | 15.88 | 432.64 | 541 | 204.8 | 595.3 | 528.6 | 114.3 | 17.5 | 25 | 771.5 |
| 18<br>3/4" | 477   | 1160 | 6 | 18.3 | 18.26 | 577.9  | 722 | 255.6 | 812.8 | 730.2 | 155.6 | 35.1 | 25 | 1016  |

1. RING NUMBER BX, 2. C should be the max value 3. Tolerance and Ring Gasket according to API 6A-20TH

## API 6A TYPE 6BX 15000PSI BLIND / API 6A WELDING NECK FLANGE INDUSTRIES AND APPLICATIONS WIDELY USED IN THE INDUSTRIES

- Pumps, Valves, and vessels in manufacturing and food processing.
- Pipe connections in industrial waterworks.
- Heat exchangers and heating systems of all sizes.
- Mining support.
- Nuclear power systems.
- Plumbing and mechanical systems.
- Assemblies in the oil, gas, and petrochemical industries.
- Fire protection systems.